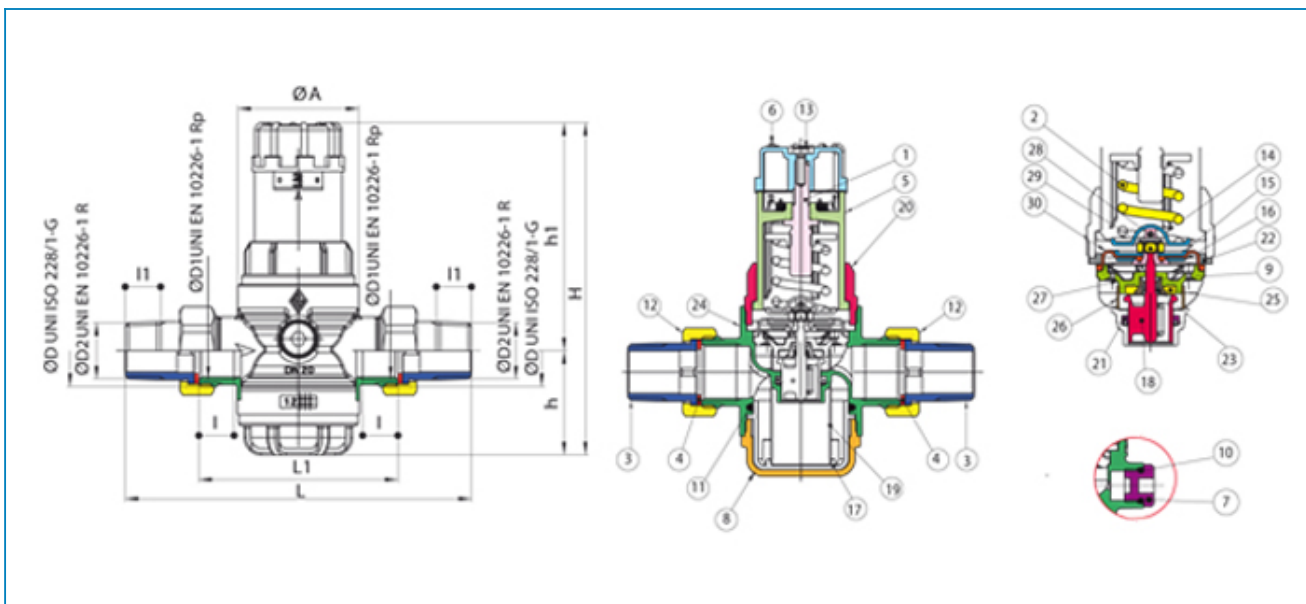




Serie **EURO**

Articolo **300000**

Pressure reducing and regulating valve with balanced seat, outlet setting from 1,5 to 6 bar, with upstream 500 micron flow filtering system, connections with ring nut and union.



POS.	PART NAME	MATERIALE-MATERIALS MATERIAUX-WERKSTOFF- MATERIAL	N°P
1	STEM OF THE SHUTTER	OTTONE CW 614N UNI EN 12164	1
2	SPRING	ACCIAIO /STEEL C85 CL C	1
3	MALE UNION TAIL	OTTONE CW 617N UNI EN 12165	2
4	FLAT SEAT	FIBRA/FIBER	2
5	CAP	PPA	1
6	HANDWHEEL	PA6	1
7	PLUG	PA6	2
8	BOWL	OTTONE CW 617N UNI EN 12165	1
9	O-RING	NBR	1
10	O-RING	NBR	2
11	O-RING	EPDM PEROX	1
12	NUT	OTTONE CW 617N UNI EN 12165	2
13	SCREW	ACCIAIO/STEEL	1
14	WASHER	ACCIAIO/STEEL DD11	1
15	WASHER	ACCIAIO/STEEL DD11	1
16	WASHER	OTTONE CW 617N UNI EN 12165	1
17	TRANSPARENT CUP	PA 12	1
18	OBSTRUCTOR	ACCIAIO INOX/S.STEEL 1.4408 CF8M	1
19	STRAINER	ACCIAIO INOX AISI 304	1
20	RING NUT	PA	1
21	SEAT	NBR	1
22	BUSH	POM	1
23	RING NUT	OTTONE CW 614N UNI EN 12164	1
24	BODY	OTTONE CW 617N UNI EN 12165	1
25	FLAT SEAT	NBR	1
26	SPRAY NOZZLE	ACCIAIO INOX/S.STEEL AISI 304	1
27	SUPPORT	POM	1
28	SUPPORT	OTTONE CW 614N UNI EN 12164	1
29	NUT	ACCIAIO INOX/S.STEEL AISI 304	1
30	MEMBRANE	NBR	1

MISURA SIZE	DN	BOX	MASTER BOX	CODICE CODE	ØD	ØD1	ØD2	I	I1	L	L1	ØA	h	h1	H	PN	Kg
1/2"	15	1	10	30000004	3/4"	1/2"	1/2"	15	15	140	80	56	48	105	153	30	0,75
3/4"	20	1	6	30000005	1"	3/4"	3/4"	16,3	16,3	160	92	56	48	105	153	30	0,97
1"	25	1	6	30000006	1"1/4	1"	1"	19,1	19,1	185	105	72	54,5	121	175	30	1,46
1"1/4	32	1	6	30000007	1"1/2	-	1"1/4	21,4	21,4	194	109	72	54,5	121	175	30	1,62

Limiti di temperatura (aria e acqua) : -10°C +70°C - Temperature range (air and water): -10°C +70°C

